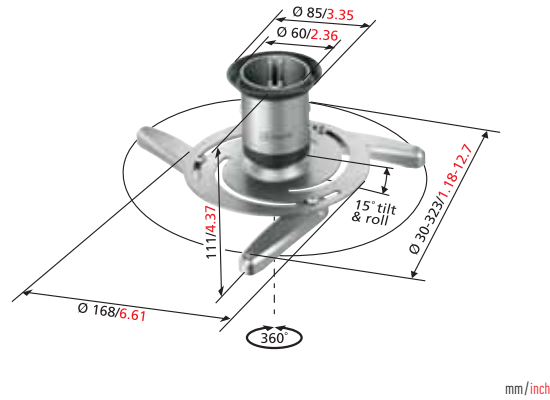


VPC 545 Projector ceiling support



- Fits virtually all projectors weighing up to 10 kg/22 lbs
- Turn, tilt and roll functions guarantee optimal viewing position
- Special anti-theft screws (M3, M4, M5)
- Including 4 metal arms
- Easy mounting



mm/inch

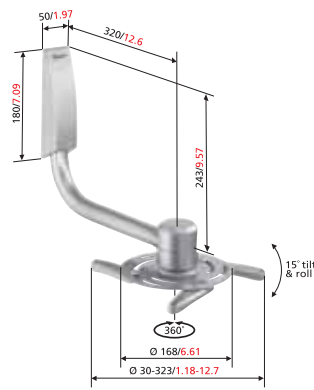
Max.

10 kg
22 lbs

VPW 565 Projector wall support



- Fits virtually all projectors weighing up to 10 kg/22 lbs
- Turn, tilt and roll functions guarantee optimal viewing position
- Reversible mounting
- Special anti-theft screws (M3, M4, M5)
- Including 4 metal arms
- Easy mounting



mm/inch

Max.

10 kg
22 lbs

Type nr.	Application	Max.	Pivot points		TILT
VPC 545	Fits virtually all projectors	10 kg / 22 lbs	1	●	15°
VPW 565	Fits virtually all projectors	10 kg / 22 lbs	1	●	15°

Visit www.vogels.com for more information.