

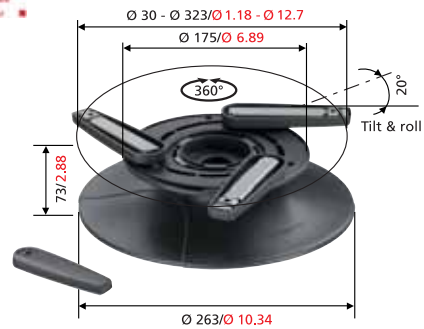
EPT 6525 Projector table solution



- Tilt, turn & roll feature to easily position the projected image
- Universal, fits virtually every projector



SEL3CTION
2006 THE DUTCH DESIGN AWARDS 3



mm/inch



30-323 mm
1.18-12.7"

Max.

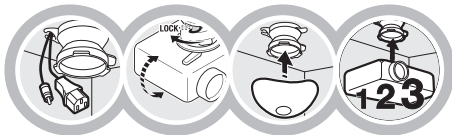
10 kg
22 lbs



EPC 6545 Projector ceiling solution



- Ceiling cover included to hide cables and support when not in use
- Adjust & secure feature to lock the projector in position
- Universal, fits virtually every projector



SEL3CTION
2006 THE DUTCH DESIGN AWARDS 3



mm/inch



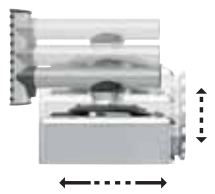
30-323 mm
1.18-12.7"

Max.

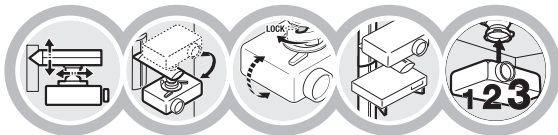
10 kg
22 lbs



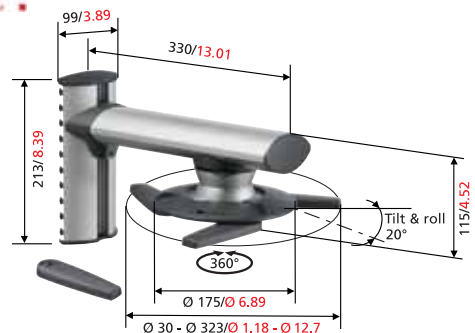
EPW 6565 Projector wall solution



- Part of the modular system of the 6000 Series
- Reversible mounting possible to mount the projector facing either straight up or upside down
- Universal, fits virtually every projector



SEL3CTION
2006 THE DUTCH DESIGN AWARDS 3



mm/inch



30-323 mm
1.18-12.7"

Max.

10 kg
22 lbs



Type nr.	Max.		CIS®	Fits column modular system 6000 Series (EFA 6830 / 6835 / 6840)
EPT 6525	10 kg / 22 lbs	●		
EPC 6545	10 kg / 22 lbs	●	✓	
EPW 6565	10 kg / 22 lbs	●	✓	✓

Visit www.vogels.com for more information.